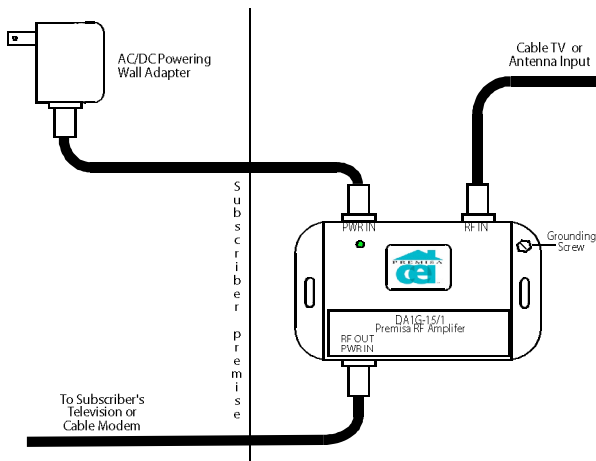




Self Powering

1. Select a location where the premise amplifier can receive the max-signal levels from your cable TV provider or antenna systems. Mount the device in safe location with the two #6 stainless steel wood screws provided. Insure that the wood screws prenatrate the mounting surface a minumium of 1/4 " (7mm).
2. Obtain #12 or 14 copper grounding wire from your local home improvement store. Remove the insulation up to 1/2" (23mm) of the end of grounding wire and insert it into the ground hole in the top right corner of the amplifier's housing, tighten the grounding screw. Mount the grounding wire securely to the dwelling with mounting clips. Prepare the grounding wire as before by removing the insulation and securely tighning the wire to the existng grounding block or a tested earth ground.
3. Prepare and connect the coaxial cable from the cable TV company or your antenna system to the Premise RF amplifier's RF INPUT connector.
4. Connect the coaxial cable coming from within the dwelling to the amplifier's output connector. This coaxial cable should terminate on settop converter box or the antenna RF input to the television receiver or other RF equipment.
5. Prepare and install "F" connectors to a jumper of coaxial cable long enough to be installed from an 120vac wall outlet to the mounting position of the premise RF amplifier. Connect the coaxial jumper to the AC/DC powering wall adapter and the other in to the PWR IN connector in the amplifiers top left corner. **PLEASE NOTE: The jumper should not exceed 50 feet (15 meters) in overall lenght from the wall adapter to the amplifier OR the amplifier's preformance will be compromised.**
6. Plug in the AC/DC powering wall adapter. If the installation is correct the amplifier's green powering LED will be visible and illuminated.

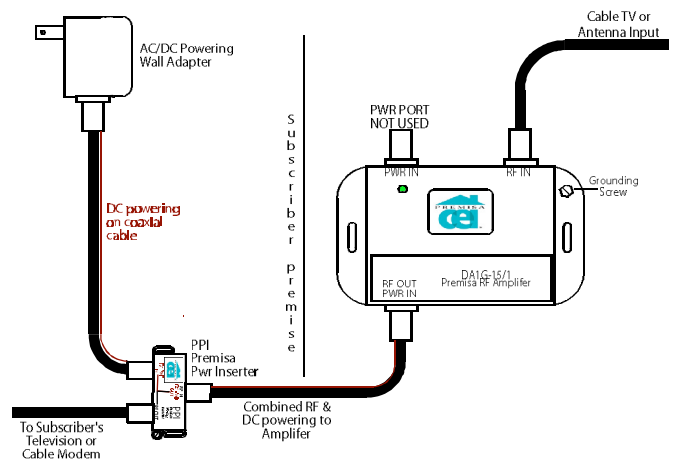
Self Powering Diagram



Remote Powering, use of PPI (Premise Power Inserter)

1. Select a location where the Premisa RF amplifier can receive the max-signal levels from your cable TV provider or antenna systems. Mount the device in safe location with the two #6 stainless steel wood screws provided. Insure that the wood screws prenatrate the mounting surface a minumium of 1/4 " (7mm).
2. Obtain #12 or 14 copper grounding wire from your local home improvement store. Remove the insulation up to 1/2" (23mm) off the end of grounding wire and insert it into the ground hole in the top right corner of the amplifier's housing, tighten the grounding screw. Mount the grounding wire securely to the dwelling with mounting clips. Prepare the grounding wire as before by removing the insulation and securely tighning the wire to the existng grounding block or a tested earth ground.
3. Prepare and connect the coaxial cable from the cable TV company or your antenna system to the Premise RF amplifier's RF INPUT connector.
4. Obtain a PPI, Premisa power inserter device and determine a secure mounting location. This location should be within the path that the coaxial cable will follow when it connects to the closest video device. Note; Do Not Mount the PPI device until all connectors are prepared and securely attached.
5. Connect the coaxial cable coming from within the dwelling to the amplifier's output connector. This coaxial cable should terminate on settop converter box or the antenna RF input to the television receiver or other RF equipment.
6. Cut the coaxial cable installed above (item 4) at the point where the PPI device installed and mounted. Prepare and apply coaxial "F" connectors to both ends of the cut cable. Install the RF IN and RF OUT to the PPI, Premisa power inserter.
7. Prepare and install "F" connectors to a jumper of coaxial cable long enough to be installed from an 120vac wall outlet to the mounting position of the PPI, Premisa power inserter. Connect this coaxial jumper to the AC/DC powering wall adapter and the PPI device. **PLEASE NOTE: The jumper should not exceed 50 feet (15 meters) in overall lenght from the AC/DC powering wall adapter to the amplifier OR the amplifier's preformance will be compromised.**
8. Mount the PPI, Premisa power inserter.
9. Plug in the AC/DC powering wall adapter. If the installation is correct the amplifier's green powering LED will be visible and illuminated.

Remote Powering Diagram



8321 Pines Blvd, Bay G-5
 P.O. Box 245398
 Pembroke Pines, FL 33024
 (954)431.1024 telephone
 (888)858.5673 toll free
 (954)431.5485 fax
 (877)711.5673 toll free fax
 HND_Sales@att.net e-mail